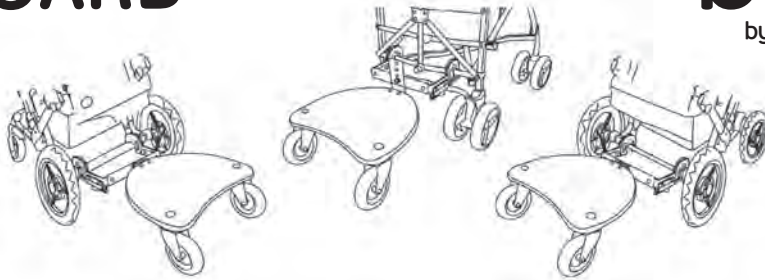


SK8 BOARD



PRODUCT REFERENCE GUIDE

Thank you for purchasing a quality VEE BEE product. Please read and follow the instructions outlined in this guide carefully. Familiarise yourself with the construction and safety features; be sure that you understand all the warnings and safety guidelines before use.

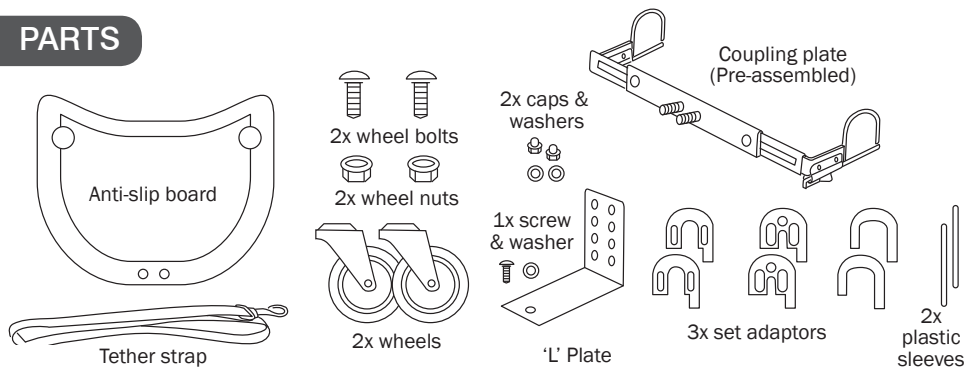
Important: Please read the following instructions carefully before assembling this product. Retain this guide in a safe place for future reference.

DISCLAIMER

Due to our policy of continuous product development, this product is constantly evolving. It is possible that some features or procedures outlined here have changed since this document was written. If you are unsure of any procedure shown here, please contact us via the web at info@valco.com.au to obtain the most up to date information before use. Include the batch number, which can be found on a sticker on the frame.

All pictures and diagrams herein are provided for illustration purposes only. Actual product, colour or fabric may vary. VALCO BABY reserves the right to modify or alter any specification or colour without notice or obligation to modify any product previously purchased

PARTS

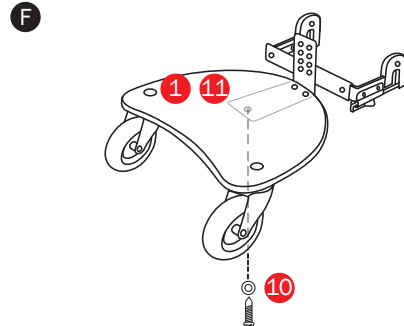
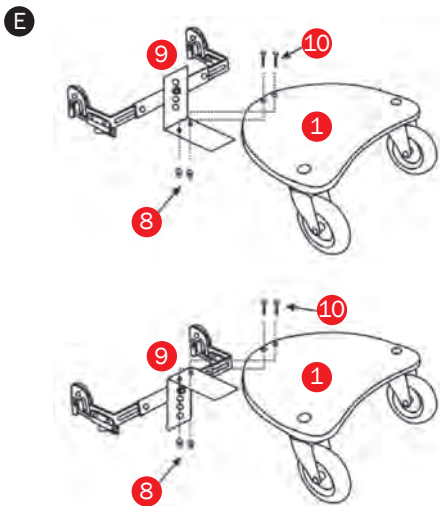
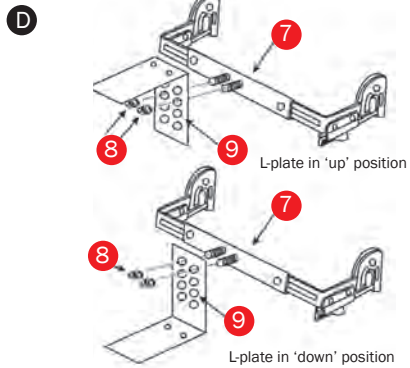
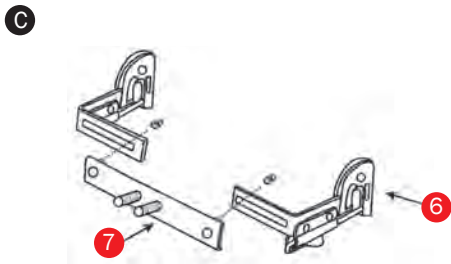
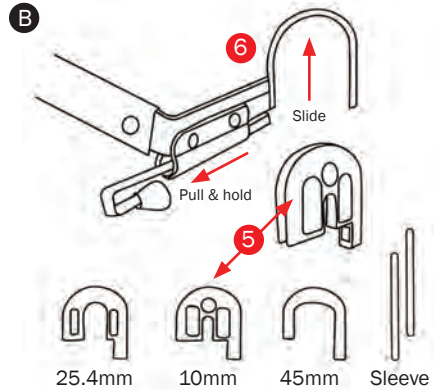
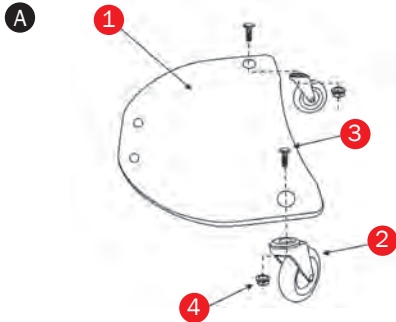


FURTHER INFORMATION
In Australia/New Zealand
www.veebee.com.au

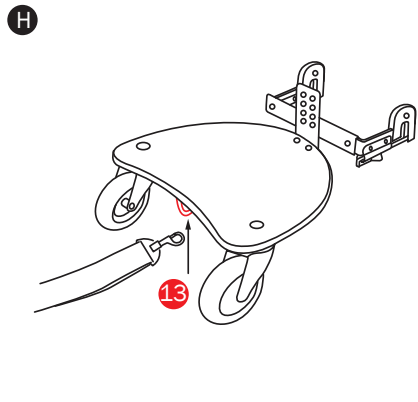
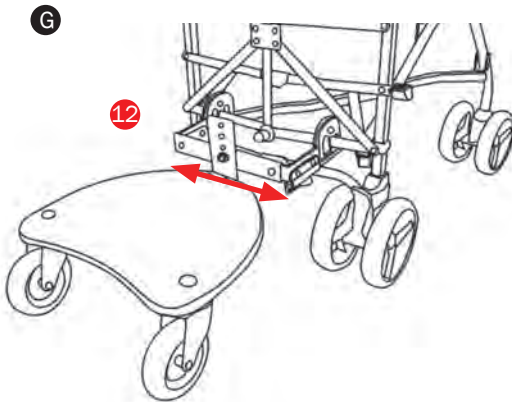
© Copyright VB 2014
vs111214



ASSEMBLY



IMPORTANT WARNING: ENSURE THAT THE FOOT PLATE IS AS HORIZONTAL (PARALLEL) AS POSSIBLE TO THE GROUND. CHECK THAT ALL SCREWS, NUTS AND BOLTS HAVE BEEN FIRMLY TIGHTENED BEFORE USE.



INSTRUCTIONS

The SK8 Board enables you to transport your second child comfortably and quickly when they are feeling tired. It can be attached to the axle, rear bar or folding plate of most of prams, strollers and buggies.

IMPORTANT

- The SK8 Board is built for children aged upwards of 15 months and with a body weight of up to 20 kg.
- The SK8 Board is developed for prams, strollers and folding buggies with a rigid rear axle or tube with a diameter of up to 45mm tube. It may not be suitable for some models without applicable rear construction or in cases where the brake function is hindered. Please consult your specialist dealer before making your purchase.

FIGURE A

A. Secure the wheels (2) to the foot-board (1) with the screws (3) and nuts (4). Ensure that the screws are firmly tightened. Use the universal tool included for this and further steps.

FIGURE B

B. The coupling part (6) of the SK8 Board can be assembled using one of 3 pairs of adaptors or plastic sleeve included. Select the most appropriate coupling to fit your pram/stroller's rear axle or tube diameter. To install the adaptor, pull and hold back the trigger while sliding your adaptor upward onto the coupling wire. Repeat for the other side.

IMPORTANT NOTE: If an adaptor is not required to

fit your stroller, we recommend covering the wire with the plastic sleeve to avoid cosmetic damage to your stroller

FIGURE C

C. The coupling parts (6-7) have already been pre-assembled by the manufacturer as Figure C.

FIGURE D

D. Measure the axle height of your pram. Insert the screw of the coupling plate (7) into the most appropriate hole (height wise) in the "L" attachment (9). Secure with the locking nut (8). Your "L" attachment can be assembled facing upwards or downwards depending on the axle height required to ensure that, when assembled, your SK8 Board will be as parallel to the ground as practicable.

FIGURE E

E. Fix the foot-board (1) to the "L" attachment (9) using the screws, washers (10) and nuts provided (8).

FIGURE F

F. Fix the foot-board (1) under the "L" attachment (11) using the screw, and washer (10) provided.

FIGURE G

G. Now adjust the SK8 Board width to the width of the pram, adjusting it as far as is possible (12). Tighten all screws to fit the width to this position. Your SK8 Board is now ready for use.

FIGURE H

H. For added security, fix the tether strap to the base of the SK8 Board (13).



WARNING: TO AVOID INJURY OR DEATH



- **THE USE OF THE SK8 BOARD IS ONLY RECOMMENDED IF THERE IS A CHILD IN THE PRAM BODY.**
- **THE PUSHING HANDLES OF THE PRAM MUST BE HELD TIGHTLY WITH BOTH HANDS BY AN ADULT AT ALL TIMES.**
- **THE SK8 BOARD IS NOT A TOY. NEVER LEAVE YOUR CHILD UNATTENDED.**
- **THE SK8 BOARD MUST NOT BE USED IF YOU GO JOGGING WITH THE PRAM.**
- **THE SK8 BOARD IS DESIGNED FOR CHILDREN UPWARDS OF 15 MONTHS AND UP TO A MAXIMUM WEIGHT OF 20 KG. IN ORDER TO GUARANTEE THE SAFETY AND FUNCTIONALITY OF THE DEVICE, AVOID ANY OVERLOADING AND UNDER NO CIRCUMSTANCES USE IT FOR TRANSPORTING OTHER ITEMS.**
- **NEVER USE THE SK8 BOARD WITH A CHILD ON IT WHILE CROSSING ANY ROAD**

Remember, your child's safety is your responsibility...

- **NEVER USE ON STAIRS OR ESCALATORS.**
- **ALWAYS USE THE TETHER STRAP WHEN THE STROLLER IS IN USE.**
- **THE CORRECT USE AND MAINTENANCE OF THIS VEHICLE ARE ESSENTIAL.**
- **BE SURE THAT ALL CLAMPS AND BUCKLES ARE SECURELY FIXED AND IN PLACE BEFORE USE**
- **WHEN IN THE STROLLER, YOUR CHILD MUST ALWAYS WEAR THE SAFETY HARNESS, CORRECTLY FITTED AND ADJUSTED, AT ALL TIMES.**
- **DO NOT USE THE SK8 BOARD UNTIL YOUR CHILD CAN WALK INDEPENDENTLY AND WITHOUT HELP. CHILDREN MUST ONLY BE TRANSPORTED ON THE FOOT-BOARD IN A STANDING POSITION.**
- **ALLOW YOUR CHILD TO ALIGHT FROM THE SK8 BOARD BEFORE REACHING PAVEMENT EDGES, STAIRS, STEEP PATHS, TIGHT CORNERS, AS WELL AS WHEN MANEUVERING BACKWARDS.**
- **THERE MAY BE TYPES OF PRAM FOR WHICH THE SK8 BOARD IS NOT SUITABLE BECAUSE THE COUPLING CANNOT BE ATTACHED FIRMLY TO THE FRAME CONSTRUCTION. CONSULT YOUR SPECIALIST DEALER BEFORE MAKING YOUR PURCHASE.**
- **BEFORE STARTING OUT ON EACH JOURNEY, CHECK WHETHER BOARD AND PRAM ARE CORRECTLY CONNECTED TO ONE ANOTHER AND PARALLEL TO THE GROUND.**
- **FROM TIME TO TIME, CHECK THAT ALL SCREWS AND MOUNTINGS OF THE SK8 BOARD ARE SITTING FIRMLY AND THAT ALL PARTS OF THE PRAM ARE OK.**
- **NO ALTERATIONS MUST BE MADE TO THE SK8 BOARD OR PRAM WHICH RESULT IN SAFETY NO LONGER BEING GUARANTEED.**
- **IN THE EVENT OF ANY POSSIBLE DAMAGE TO THE DEVICE, ONLY ORIGINAL REPLACEMENT PARTS OF THE MANUFACTURER MUST BE USED.**
- **THE SK8 BOARD IS NOT SUITABLE FOR USE ON SNOW OR SOFT SURFACES.**
- **CLEAN THE BOARD AND THE WHEELS FROM TIME TO TIME WITH WARM SOAPY WATER.**
- **PLEASE KEEP THE PLASTIC PACKING AWAY FROM CHILDREN OR DISPOSE OF IT AS THERE IS A RISK OF SUFFOCATION.**
- **KEEP THE INSTRUCTION MANUAL CAREFULLY FOR ANY POSSIBLE SUBSEQUENT USERS.**
- **APART FROM THIS, ADHERE PRECISELY TO THE INSTRUCTIONS OF YOUR PRAM MANUFACTURER.**
- **THIS PRODUCT IS INTENDED FOR DOMESTIC USE ONLY. IT IS NOT INTENDED FOR COMMERCIAL USE.**

FURTHER INFORMATION: Find us on:

veebee.com.au



vee bee

by valco baby