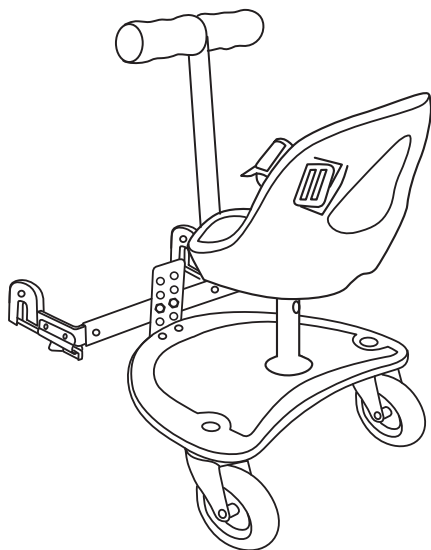




EZrider

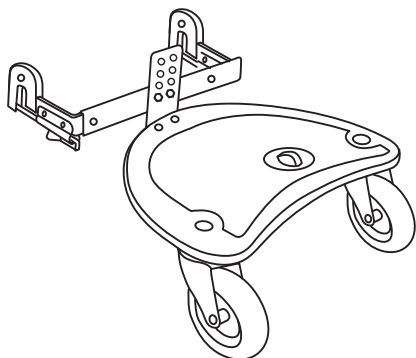
Ride on seat & Board

PRODUCT REFERENCE GUIDE



Thank you for purchasing a quality VEE BEE product. Please read and follow the instructions outlined in this guide carefully. Familiarise yourself with the construction and safety features; be sure that you understand all the warnings and safety guidelines before use.

Important: Please read the following instructions carefully before assembling this product. Retain this guide in a safe place for future reference. Please refer to your pram or pusher's manufacturer's instructions to ascertain the suitability of using the EZ Rider with your model. Some prams and strollers are not suited to bearing additional loads and use of the EZ Rider may void your pram or stroller's warranty.



Due to our policy of continuous product development, this product is constantly evolving. It is possible that some features or procedures outlined here have changed since this document was written. If you are unsure of any procedure shown here, please contact us via the web at info@valco.com.au to obtain the most up to date information before use. Include the batch number, which can be found on a sticker on the frame.

All pictures and diagrams herein are provided for illustration purposes only. Actual product, colour or fabric may vary. VEE BEE reserves the right to modify or alter any specification or colour without notice or obligation to modify any product previously purchased

FURTHER INFORMATION
In Australia/New Zealand
veebee.com.au

© Copyright VE 2012
vs290512

FOOT BOARD ASSEMBLY

Congratulations on Purchasing a VeeBee EZ Rider.

The EZ Rider will let your little ones stand - or sit with the seat attachment inserted - behind your pram or stroller. Please read these instructions carefully before using the EZ Rider. Incorrect use may endanger your child.

⚠️WARNING:

- The EZ Rider is designed for use for children over 15 months of age and a maximum weight of 25kg.
- The EZ Rider was developed for use with prams, strollers or buggies with a rigid rear axle, or a tube or horizontal structure with a maximum diameter of 45mm.
- In cases where there is no suitable structure readily available to attach the EZ Rider to - or where brake function may be compromised - the product may not be suitable. In this case, please consult with you pram or stroller vendor.

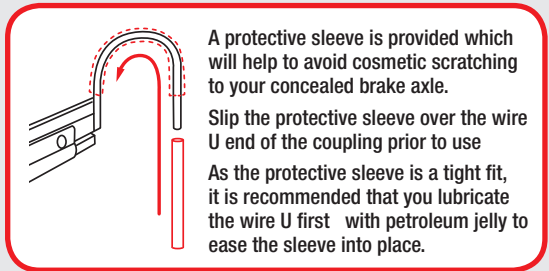
FIGURE A - BOARD ASSEMBLY

1. Insert the M10 bolts (3) into the top of the foot board (1), locating them into the wheels (2) and securing them with the M10 nuts (4) beneath using the multi purpose tool provided.

FIGURE B - ATTACHING THE COUPLING ADAPTORS

2. The EZ Rider comes with three pairs of adaptors (5) enabling it to be configured to most diameters of rear axle strollers. These are:

- 10mm axle
- 1" [25.4mm] axle
- Other axles up to 45mm



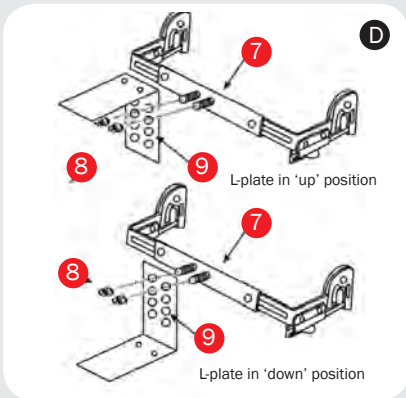
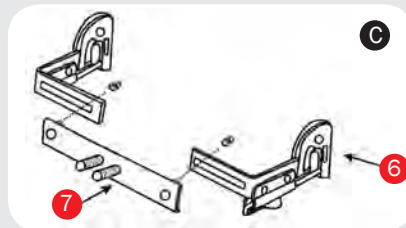
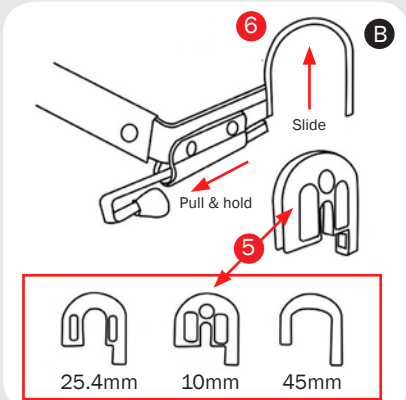
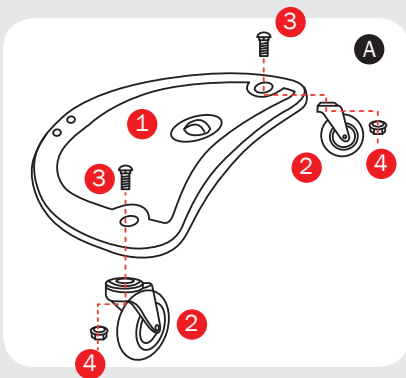
3. Please identify the correct adaptor(5) for your pram and insert them into the coupling arm (6) as shown below. Withdraw the trigger and slide the chosen adaptor into the bent arch of the coupling arm then return the trigger back into closed position, securing the adaptor in place. Repeat for both sides.

FIGURE C - ATTACH COUPLING UNIT TO PRAM

4. The coupling unit (6+7) has already been pre-assembled by the manufacturer, but should be loosened and re-secured on your pram in the widest possible configuration - while accommodating existing components (i.e. baskets, brakes, etc)

FIGURE D - ATTACH L-BAR

5. The L-bar (9) serves to attach the foot board (1) to the coupling unit (7) and keep it level with the pram. If the coupling unit (7) on the pram has a clearance of less than 16 cms from the ground, you may need to turn the L-bar (9) upside down before securing it to the coupling (7) and the foot board (1).



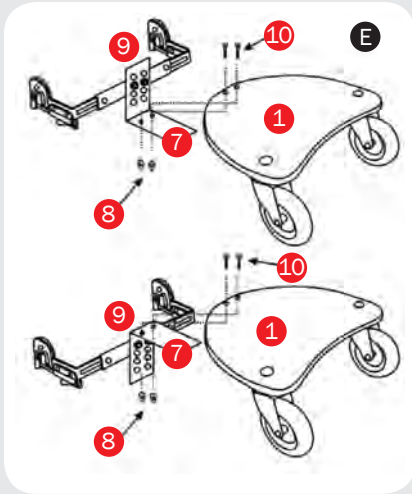


FIGURE E - ATTACH L-BAR CONTINUED

- The foot board (1) is supposed to sit 16 cm above the ground, while secured by two M6 nuts (8) and M6 screws (10) to the base of the L-bar (9)

⚠ WARNING: THE EZ RIDER MUST BE ASSEMBLED SO THAT THE BOARD IS AS PARALLEL TO THE GROUND AS POSSIBLE. FAILURE TO DO SO MAY RESULT IN SERIOUS INJURY

- Your EZ Rider should now be level, and firmly mounted in the centre of the pram, without interfering with its use. If this is not the case, please go over steps 1-6 again and review instructions.

***NOTE: If the EZ Rider is being used for standing only, please ensure the seat mounting hole is covered with the plastic lid (12) supplied for safety.**

FIGURE G- COUPLING STRAPS

- The EZ Rider is provided with an additional pair of straps to provide an extra secure connection to your pram. Please connect these to the neck of the coupling arms and fasten around the connection as shown.

FIGURE H- STORAGE STRAP

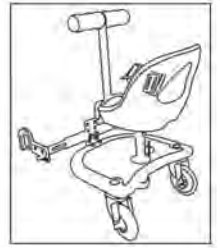
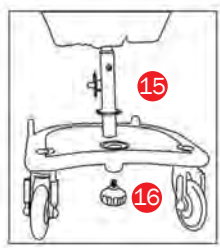
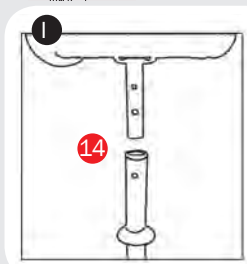
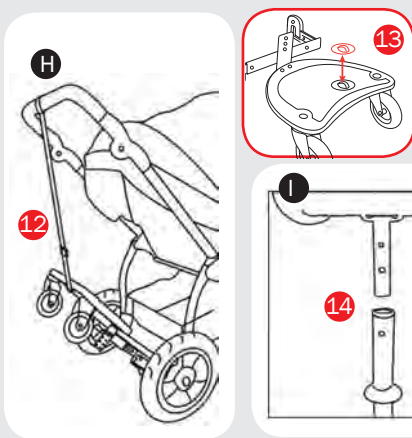
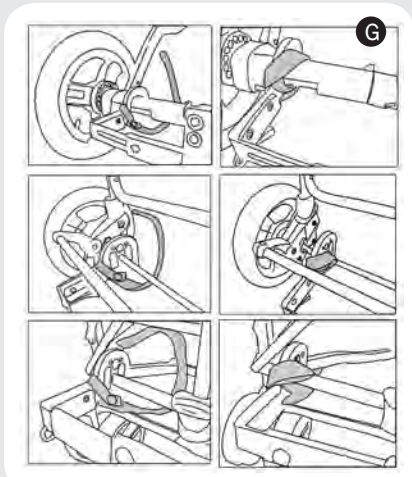
- The EZ Rider is provided with a storage strap which allows the EZ Rider to be stowed when not in use. To use attach the strap to the handle bar and hook the EZ Rider firmly to the pram at the base (12).

***NOTE: The Storage strap may not be suitable for some baby buggies, please consult with your product vendor for more information on specific models**

FIGURE I - ATTACH SEAT

- Remove plastic lid (13) from the foot board and mount on the seat post (14) for storage. Insert the post at the base of the seat into the connecting post (14), then insert this assembly into the foot board (15) and secure from underneath with the seat fastening bolt (16)
- Adjust seat to desired height and secure by inserting screws into the appropriate and corresponding holes.

⚠ WARNING: ENSURE SEAT IS SECURELY FASTENED BEFORE USE.



▲WARNING

- **THE USE OF THE EZ RIDER IS ONLY RECOMMENDED IF THERE IS A CHILD IN THE PRAM BODY, OR IF THE PRAM HANDLES ARE FIRMLY SECURED BY AN ADULT**
- **THE PUSHING HANDLES OF THE PRAM MUST BE HELD TIGHTLY WITH BOTH HANDS BY AN ADULT AT ALL TIMES.**
- **THE EZ RIDER IS NOT A TOY. NEVER LEAVE YOUR CHILD UNATTENDED.**
- **THE EZ RIDER MUST NOT BE USED IF YOU GO JOGGING WITH THE PRAM.**
- **THE EZ RIDER IS DESIGNED FOR CHILDREN UPWARDS OF 15 MONTHS AND UP TO A MAXIMUM WEIGHT OF 25 KG. IN ORDER TO GUARANTEE THE SAFETY AND FUNCTIONALITY OF THE DEVICE, AVOID ANY OVERLOADING AND UNDER NO CIRCUMSTANCES USE IT FOR TRANSPORTING OTHER ITEMS.**
- **NEVER USE THE THE EZ RIDER WITH A CHILD ON IT WHILE CROSSING ANY ROAD**

Remember, your child's safety is your responsibility...

- NEVER USE ON STAIRS OR ESCALATORS.
- ALWAYS USE THE TETHER STRAP WHEN THE STROLLER IS IN USE.
- THE CORRECT USE AND MAINTENANCE OF THIS VEHICLE ARE ESSENTIAL.
- BE SURE THAT ALL CLAMPS AND BUCKLES ARE SECURELY FIXED AND IN PLACE BEFORE USE
- WHEN IN THE STROLLER, YOUR CHILD MUST ALWAYS WEAR THE SAFETY HARNESS, CORRECTLY FITTED AND ADJUSTED, AT ALL TIMES.
- DO NOT USE THE EZ RIDER UNTIL YOUR CHILD CAN WALK INDEPENDENTLY AND WITHOUT HELP. CHILDREN MUST ONLY BE TRANSPORTED ON THE FOOT-BOARD IN A STANDING POSITION.
- ALLOW YOUR CHILD TO ALIGHT FROM THE EZ RIDER BEFORE REACHING PAVEMENT EDGES, STAIRS, STEEP PATHS, TIGHT CORNERS, AS WELL AS WHEN MANOEUVRING BACKWARDS.
- THERE MAY BE PRAMS, STROLLERS AND BUGGIES WHICH ARE NOT SUITABLE FOR USE WITH THE EZ RIDER, AS THEY CANNOT PROVIDE A SECURE CONNECTING STRUCTURE FOR LATCHING THE EZ RIDER ONTO. PLEASE CONSULT WITH YOUR PRODUCT VENDOR FOR MORE INFORMATION.
- BEFORE STARTING OUT ON EACH JOURNEY, CHECK WHETHER BOARD AND PRAM ARE CORRECTLY CONNECTED TO ONE ANOTHER AND PARALLEL TO THE GROUND.
- ALWAYS CHECK THAT ALL SCREWS AND MOUNTINGS OF THE EZ RIDER ARE SITTING FIRMLY AND THAT ALL PARTS OF THE PRAM ARE OK BEFORE USE.
- ANY ALTERATIONS TO THE EZ RIDER MAY CAUSE THE PRODUCT TO MALFUNCTION AND RENDER IT UNSAFE. IT WILL ALSO VOID ANY WARRANTIES.
- IN THE EVENT OF DAMAGE TO ANY COMPONENT OF THE EZ RIDER DISCONTINUE USE IMMEDIATELY. ONLY USE ORIGINAL REPLACEMENT PARTS PROVIDED BY THE MANUFACTURER.
- THE EZ RIDER IS NOT SUITABLE FOR SNOWY, ICY OR SOFT SURFACES.
- CLEAN THE BOARD AND THE WHEELS FROM TIME TO TIME WITH WARM SOAPY WATER.
- PLEASE KEEP THE PLASTIC PACKING AWAY FROM CHILDREN OR DISPOSE OF IT AS THERE IS A RISK OF SUFFOCATION.
- KEEP THE INSTRUCTION MANUAL CAREFULLY FOR ANY POSSIBLE SUBSEQUENT USERS.
- APART FROM THESE INSTRUCTIONS, PLEASE REFER TO ANY INSTRUCTIONS YOU HAVE RECEIVED FROM YOUR PRAM MANUFACTURER.
- THIS PRODUCT IS INTENDED FOR DOMESTIC USE ONLY. IT IS NOT INTENDED FOR COMMERCIAL USE.
- PLEASE REFER TO YOUR PRAM OR PUSHER'S MANUFACTURER'S INSTRUCTIONS TO ASCERTAIN THE SUITABILITY OF USING THE EZ RIDER WITH YOUR MODEL. SOME PRAMS AND STROLLERS ARE NOT SUITED TO BEARING ADDITIONAL LOADS AND USE OF THE EZ RIDER MAY VOID YOUR PRAM OR STROLLER'S WARRANTY.



In Australia/New Zealand
veebee.com.au